



Cambridge IGCSE™ (9–1)

CANDIDATE
NAME

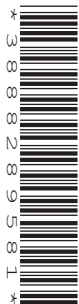
--

CENTRE
NUMBER

--	--	--	--	--

CANDIDATE
NUMBER

--	--	--	--



MATHEMATICS

0980/21

Paper 2 (Extended)

October/November 2023

1 hour 30 minutes

You must answer on the question paper.

You will need: Geometrical instruments

INSTRUCTIONS

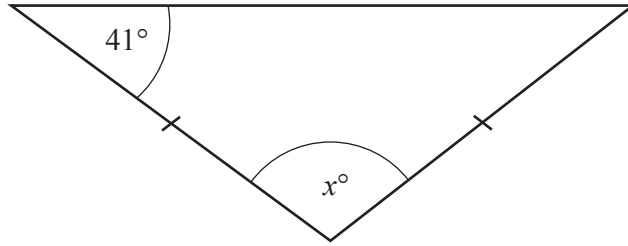
- Answer **all** questions.
- Use a black or dark blue pen. You may use an HB pencil for any diagrams or graphs.
- Write your name, centre number and candidate number in the boxes at the top of the page.
- Write your answer to each question in the space provided.
- Do **not** use an erasable pen or correction fluid.
- Do **not** write on any bar codes.
- You should use a calculator where appropriate.
- You may use tracing paper.
- You must show all necessary working clearly.
- Give non-exact numerical answers correct to 3 significant figures, or 1 decimal place for angles in degrees, unless a different level of accuracy is specified in the question.
- For π , use either your calculator value or 3.142.

INFORMATION

- The total mark for this paper is 70.
- The number of marks for each question or part question is shown in brackets [].

This document has **12** pages.

1 The diagram shows an isosceles triangle.



NOT TO SCALE

Find the value of x .

$x = \dots\dots\dots$ [2]

2 The stem-and-leaf diagram shows the time, in minutes, it takes each of 15 people to complete a race.

1	6 6 7
2	1 3 3 4 5 6 7 7 7
3	0 1 1

Key: 1|6 represents 16 minutes

Find

(a) the mode

$\dots\dots\dots$ min [1]

(b) the range

$\dots\dots\dots$ min [1]

(c) the median.

$\dots\dots\dots$ min [1]

3 Complete these statements.

(a) When $x = \dots\dots\dots$, $x + 3 = 8$.

[1]

(b) When $7y = 63$, $10y = \dots\dots\dots$

[1]

4 The table shows some information about Amir's shopping.

Fruit	Cost per kilogram	Number of kilograms Amir buys	Cost
Oranges	\$2.35	3.2	\$.....
Bananas	\$.....	2.8	\$.....
Total			\$13.54

Complete the table.

[3]

5 Factorise completely.

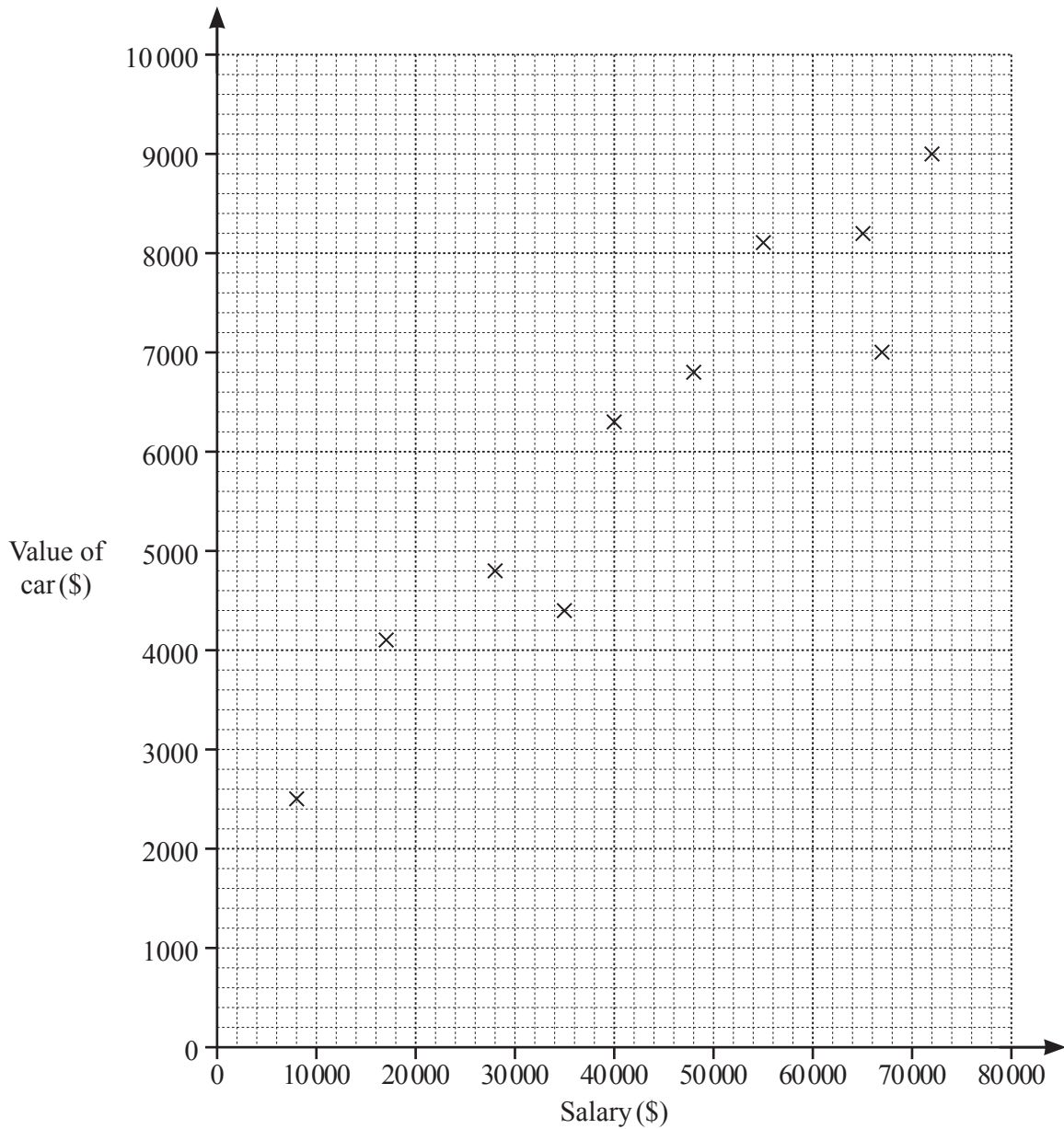
(a) $42mk - 35m$

..... [2]

(b) $h^2 - 144$

..... [1]

- 6 For each of 10 people working in an office, the scatter diagram shows their salary and the value of their car.



- (a) One of these people has a salary of \$28 000.

Find the value of their car.

\$ [1]

- (b) Another person starts to work in the office.
Their salary is \$54 000 and the value of their car is \$6100.

Plot this information on the scatter diagram.

[1]

- (c) What type of correlation is shown in the scatter diagram?

..... [1]

- 7 The exchange rate between Singapore dollars and euros is 1 Singapore dollar = 0.62 euros.

Find the value of 161.20 euros in Singapore dollars.

..... Singapore dollars [1]

- 8 Calculate.

$$7\frac{3}{11} \times 3\frac{3}{10}$$

..... [1]

- 9 Find the highest common factor (HCF) of 140 and 126.

..... [2]

- 10 Simplify.

(a) $n^5 \times n$

..... [1]

(b) $8x^6 \div 2x^2$

..... [2]

(c) $(243y^{20})^{\frac{2}{3}}$

..... [2]

11 Solve.

$$4(2x - 3) \geq 43 + 3x$$

..... [3]

12 Write $0.\dot{4}2$ as a fraction in its simplest form.
You must show all your working.

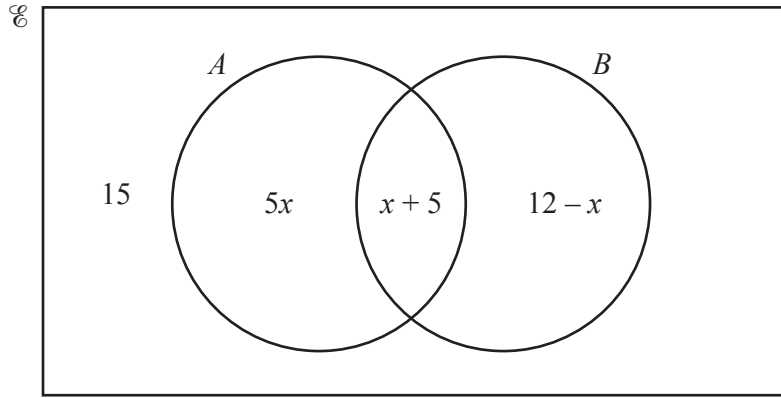
..... [3]

13 At the end of 2021 there were 27 000 rhinos living in the wild.
The number of rhinos is expected to decrease exponentially by 3% each year.

Work out the number of rhinos expected to be living in the wild 4 years later, at the end of 2025.
Give your answer correct to the nearest whole number.

..... [3]

14 (a)

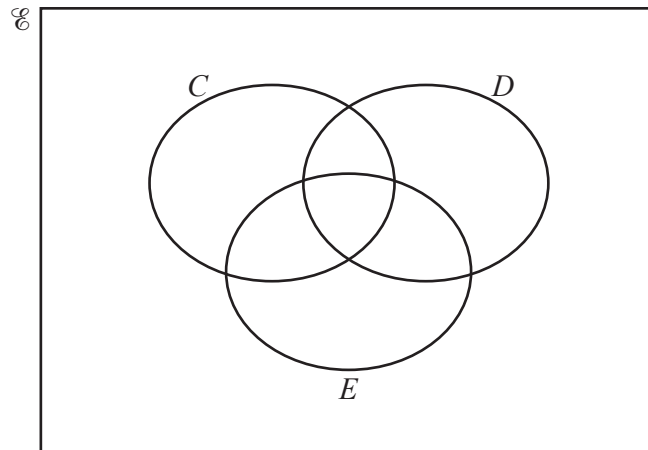


The Venn diagram shows information about the number of elements in sets A , B and \mathcal{E} .
 $n(\mathcal{E}) = 52$.

Find $n(A \cap B)$.

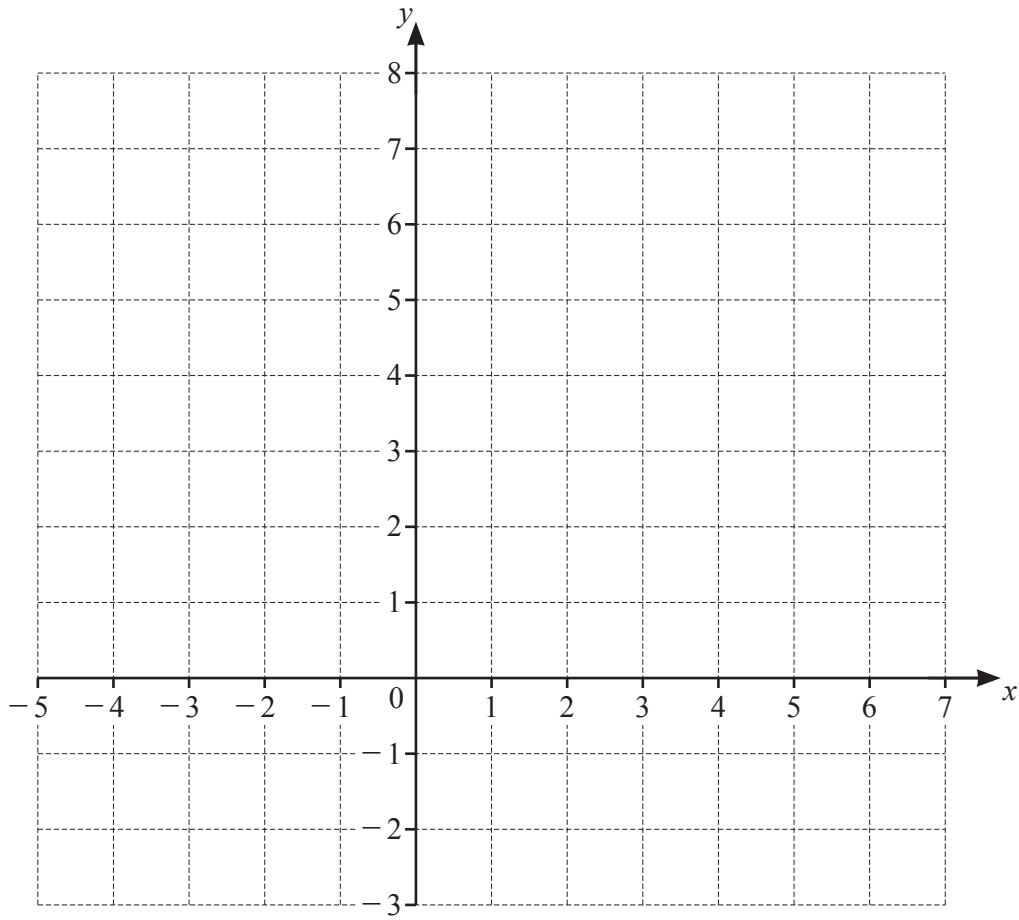
..... [3]

(b) In this Venn diagram, shade the region $C \cap D \cap E$.



[1]

15



By shading the **unwanted** regions of the grid, draw and label the region R which satisfies these inequalities.

$$y > 1$$

$$x \leq 2$$

$$y \geq x + 2$$

[5]

16 $P = 2w + 2h$

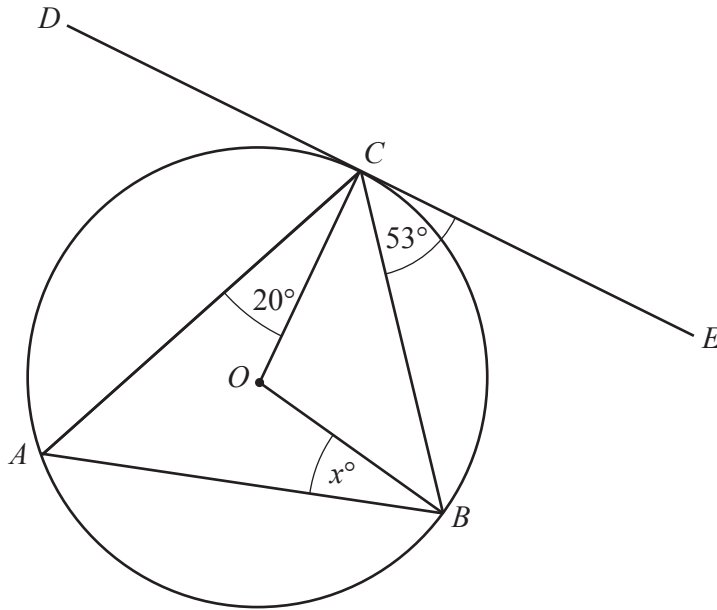
$w = 11$ and $h = 9.5$, both correct to 2 significant figures.

Find the lower bound and the upper bound for P .

Lower bound =

Upper bound = [3]

17



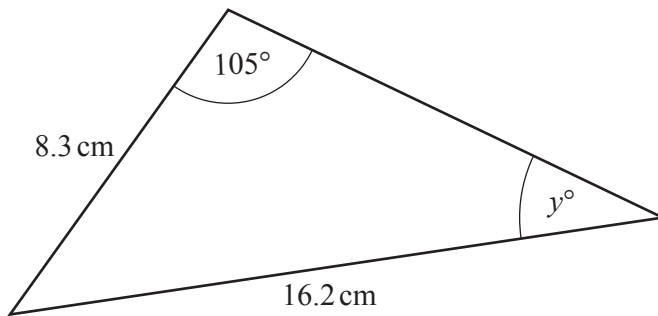
NOT TO SCALE

A , B and C are points on the circumference of a circle, centre O .
Tangent DE touches the circle at C .
Angle $BCE = 53^\circ$ and angle $ACO = 20^\circ$.

Find the value of x .

$x = \dots\dots\dots$ [3]

18



NOT TO SCALE

Calculate the value of y .

$y = \dots\dots\dots$ [3]

19 (a)



Sketch the graph of $y = \cos x$ for $0^\circ \leq x \leq 360^\circ$.

[2]

(b) When $\cos x = 0.21$, find the **reflex** angle x .

..... [2]

20 Write as a single fraction in its simplest form.

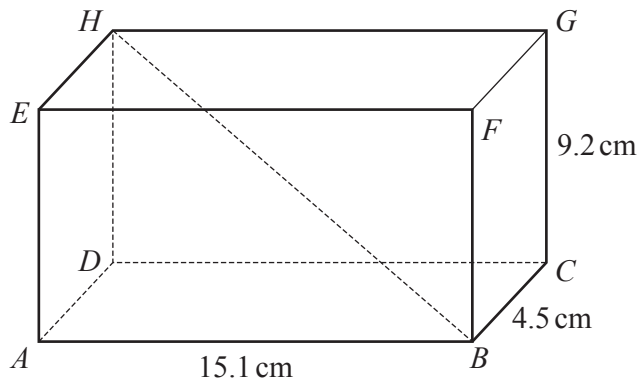
(a) $\frac{10x^2 - 60x}{x^2 - x - 30}$

..... [3]

(b) $\frac{7}{x+3} + \frac{5}{8x-1}$

..... [3]

21

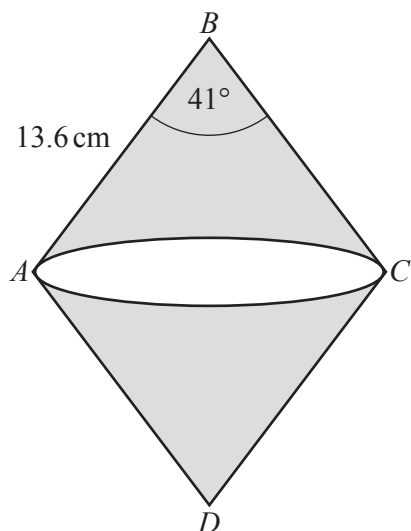
NOT TO
SCALE

The diagram shows a cuboid $ABCDEFGH$.
 $AB = 15.1$ cm, $BC = 4.5$ cm and $CG = 9.2$ cm.

Calculate the angle that the diagonal BH makes with the face $ADHE$.

..... [4]

Question 22 is printed on the next page.



NOT TO
SCALE

$ABCD$ is a rhombus with side length 13.6 cm.

Angle $ABC = 41^\circ$.

BAC is a sector of a circle with centre B .

DAC is a sector of a circle with centre D .

Calculate the shaded area.

..... cm^2 [4]

Permission to reproduce items where third-party owned material protected by copyright is included has been sought and cleared where possible. Every reasonable effort has been made by the publisher (UCLES) to trace copyright holders, but if any items requiring clearance have unwittingly been included, the publisher will be pleased to make amends at the earliest possible opportunity.

To avoid the issue of disclosure of answer-related information to candidates, all copyright acknowledgements are reproduced online in the Cambridge Assessment International Education Copyright Acknowledgements Booklet. This is produced for each series of examinations and is freely available to download at www.cambridgeinternational.org after the live examination series.

Cambridge Assessment International Education is part of Cambridge Assessment. Cambridge Assessment is the brand name of the University of Cambridge Local Examinations Syndicate (UCLES), which is a department of the University of Cambridge.